



The **Orion** LED Highbay is a versatile and cost effective luminaire designed to illuminate interior industrial spaces. It's simple design provides high quality economical lighting, available in either an 18,000 lumen or 27,000 lumen package.

The Orion has five different reflector options including clear acrylic, translucent white, opalescent acrylic and suspended bead. There are three lens options, several mounting accessories including cord and plug options and optional bottom wire guards.

Mounting Options

- Pendant
- Medium Bay
- Low Bay

International Approvals

CE

Standard Specification

Orion LED Highbay

Enclosure	Grey painted cast aluminium housing with clear acrylic reflector optic
Entry	Rigid conduit through top of wire box
Termination	Within wire box using lever nuts
Installation	Pendant mounted via rigid conduit
Control Gear	Electronic Driver
Colour Temperature (CCT)	5000K (Cool White)
Maintenance	4 screws on optic chamber cover
Ingress Protection	IP66 (optic chamber), IP67 (driver)
Surge Protection	4kV
Electrical Supply	120-277V AC 50/60Hz

Features

- ◆ **Instant on** crisp white light output
- ◆ Highly **Energy Efficient**
- ◆ **120,000 maintenance free hours** at 25°C (L70)
- ◆ **Lower power consumption** than HID lamps
- ◆ **Low temperature applications to -40°C**

Chalmit®

LED SOLUTIONS

For Harsh & Hazardous Locations



Product design and specifications are subject to change without notice. Please check the Chalmit website for latest specifications. www.chalmit.com

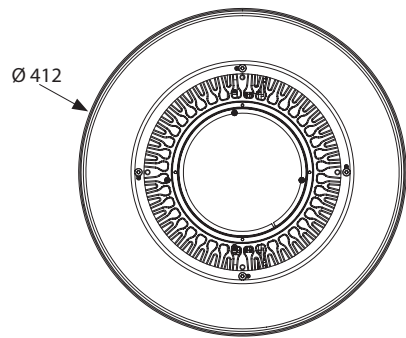
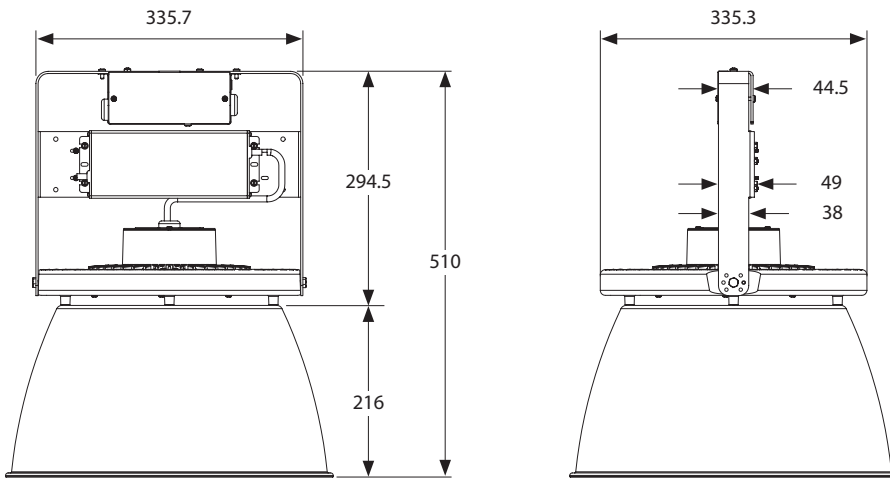
Std. Cat No.	Delivered Output	Power Consumption	Ambient °C	Weight
ORII/18L/LE	18335 lm	167W	-40 to +50	6.8kg
ORII/27L/LE	26985 lm	255W	-40 to +40	6.8kg

Options - Suffix to Catalogue No.			
/WW	Translucent white reflector*	/AL	Anodised Aluminium reflector*
/OP	Opalescent acrylic reflector*	/SB	Suspended bead reflector*
/4K	4000K (Neutral White) LEDs	/NR	Without External Reflector

*Reflectors are ordered in place of standard clear acrylic optic

Accessories *Accessories should be ordered separately*

	Order Code
Wire guard	Please contact Chalmit sales for information
Conical drop lens	
Dropped lens refractor	
Frosted acrylic lens	



LED SOLUTIONS
 For Harsh & Hazardous Locations

