

PROTECTA III S/S STAINLESS STEEL

Ex e FLUORESCENT

26



The Protecta III is also available in a stainless steel body version. This incorporates the same design and monitoring features found in the GRP body Protecta. The increased durability of its stainless steel construction makes this luminaire ideal for applications where there is a high risk of mechanical damage or exposure to chemical agents.

Standard Specification		Features
Type of Protection	Ex e mb q (Increased safety Encapsulation Powder filling)	316 Stainless steel body and clamp bar
ATEX Classification	Group II Category 2 GD	Advanced control gear gives 50/60Hz operation, high power correction factor and regulated lamp output that is 20% greater at -20°C
Area Classification	Zone 1 and Zone 21 areas to EN60079-10-1 and EN 60079-10-2 with installation to EN 60079-14	
Certificate	EC Type Examination Certificate Baseefa04ATEX0220	Automatic lamp de-energisation on opening
Coding	Ⓔ II 2 GD Ex e mb q IIC T4 Tamb 55°C (45°C for emergency version)	Resistance to voltage fluctuations
Enclosure	Marine grade 316S31 stainless steel body with polycarbonate cover	Battery management, monitoring and automatic self test
Reflector/Geartray	White polyester painted zinc coated steel	dc operation (non-emergency only)
Entry	4 x M20 cable entries, 2 at each end	
Termination	Quick release mains terminals - 3 core 4mm ² max. conductor with looping and through wiring facility. 4 core 4mm ² connectors on emergency). (6mm ² terminations available - /SC option)	Ability to detect and indicate impending end of emergency lamp life before actual failure
Installation	Two M8 tapped stainless steel inserts located on rear of body	End of life (EOL) protection to IEC 60079-7 (with EOL I and EOL II functionality)
Lampholder	G13 (Bi-pin)	
Control Gear	High Frequency	<h3>International Approvals</h3> <p>ATEX, GB (China), GOST, CSA and CEPIL</p> <p>IECEx Compliant</p>
Relamping	Quick release diffuser clamps and hinged cover	
Burning Position	Universal	
Ingress Protection	IP66 to EN 60529	
Electrical Supply	220V - 254V 50/60Hz 220V - 300V dc (non-emergency only)	
Battery	Internal Ni-Cd (6V)	
Duration	90 minutes to EN60598-2-22	
Emergency Output	50% of one lamp (18W) 25% of one lamp (36W)	

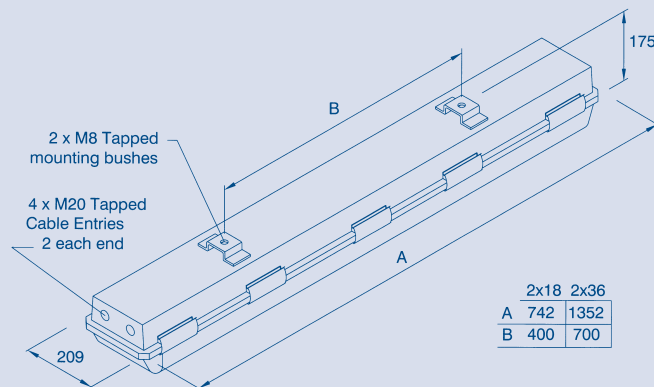
Std. Cat No.	Wattage	Lamp	TClass	T°C (Dust)	Ambient °C	Weight
PRSE/218/BI	2x18W	T8	T4	85	-20 to +55	6.0kg
PRSE/236/BI	2x36W	T8	T4	85	-20 to +55	9.6kg
PRSE/218/BI/EM	2x18W	T8	T4	85	-20 to +45	9.1kg
PRSE/236/BI/EM	2x36W	T8	T4	85	-20 to +45	12.5kg
PRSE/218/MO	2x18W	T8	T4	85	-20 to +55	6.0kg
PRSE/236/MO	2x36W	T8	T4	85	-20 to +55	9.6kg
PRSE/218/MO/EM	2x18W	T8	T4	85	-20 to +45	9.1kg
PRSE/236/MO/EM	2x36W	T8	T4	85	-20 to +45	12.5kg

MO - Mono-pin (Fa6 Cap) Lamps. Mono-pin Coding: Ex d e q. Mono-pin emergency coding: Ex d e mb q IIC.

Options – Suffix to Catalogue No.

/120	Specific voltage (110/130V)	/LBE	Looping both ends
/M25	M25 cable entries	/EL	Extra live termination facility (compatible with 4 core switched emergency circuits)
/SC	Screwed connection terminal block (up to 6mm ² conductors)	/HEO	High emergency output - 45% (36W only)
/3P	3 phase termination facility (Not available if looping required)	/3H	3 hour battery duration*

* 18W = 30% of one lamp, 36W = 25% of one lamp



Accessories Should be ordered separately

Catalogue Order Code

Pole mounting bracket assembly (38-42mm diameter poles)	SPOL4-100001
Pole mounting bracket assembly (48-52mm diameter poles)	SPOL4-100002
Pole mounting bracket assembly (58-62mm diameter poles)	SPOL4-100003
Hook type ceiling bracket assembly	SPRO4-0005
Ceiling mounting bracket assembly	SPRO4-0002
Eyebolt mounting assembly	SPRO5-0005
Flush mounting wall bracket assembly	SPRO4-0006
Looping kit (allows looping from both ends of luminaire)	SPROT-0021
Remote Ex switch for emergency inhibition (1 switch controls up to 10 luminaires)	SPROT-0033

For details on outreach brackets see page 29.

Product design and specifications are subject to change without notice, please check the Chalmit website for latest specifications.