



The Protecta III is a proven and reliable T8 fluorescent luminaire. The Protecta's rugged, corrosion resistant construction (IP66/IP67) combined with an advanced high frequency ballast ensure minimum product maintenance is required.

When access is required the Protecta III features an easy access clamp bar and automatic lamp de-energisation to allow quick and easy re-lamping.

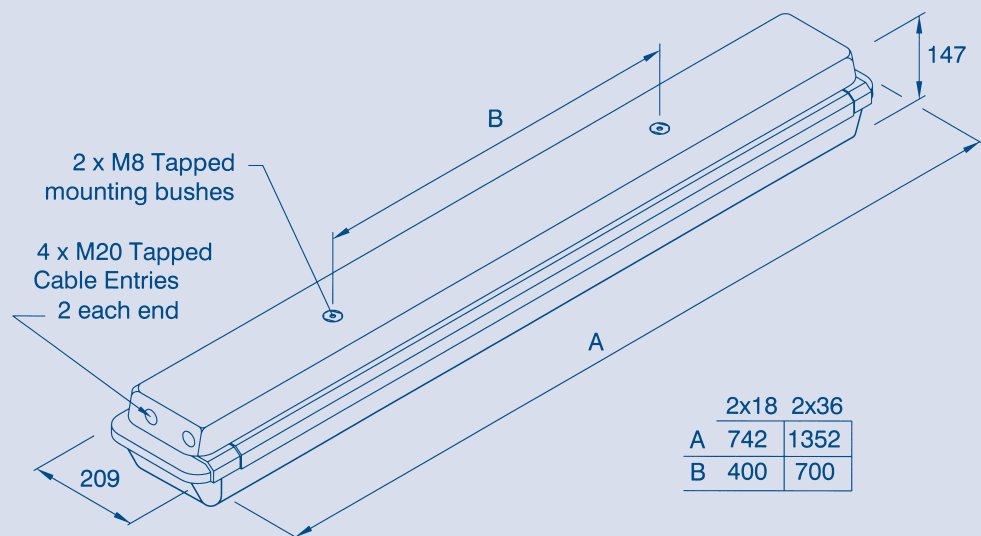
Standard Specification		Features
Type of Protection	Ex e mb q (Increased safety Encapsulation Powder filling)	Simple rugged construction
ATEX Classification	Group II Category 2 GD	Full length easy access diffuser clamp
Area Classification	Zone 1 and 21 areas to EN 60079-10-1 and EN 60079-10-2 with installation to EN 60079-14	Advanced control gear gives 50/60Hz operation, high power correction factor and regulated lamp output that is 20% greater at -20°C than competitors
Certificate	EC Type Examination Certificate Baseefa04ATEX0220	Resistant to voltage fluctuations
Coding	Ⓔ II 2 GD Ex e mb q IIC T4 Tamb 55°C	dc operation
Enclosure	GRP body with polycarbonate cover and brass suspension points	Automatic lamp de-energisation on opening
Reflector/Geartray	White polyester painted zinc coated steel	Quick release mains terminals
Entry	4 x M20 cable entries, 2 at each end	DTS-01 deluge tested
Termination	Quick release mains terminals - 3 core 4mm ² max. conductor with looping and 16A rating through wiring. (6mm ² terminations available - /SC option)	Vibration tested to comply with Lloyds/DNV
Installation	Two M8 tapped brass inserts located on rear of body	End of life (EOL) protection to IEC 60079-7 (with EOL I and EOL II functionality)
Control Gear	High Frequency	International Approvals
Relamping	Quick release diffuser clamp and hinged cover	
Lampholder	G13 (Bi-pin)	
Burning Position	Universal	
Ingress Protection	IP66/67 to EN 60529	
Electrical Supply	220V - 254V 50/60Hz, 220 - 300V dc	ATEX, GB (China), GOST, CSA and CEPIL
		IECEx Compliant

Std. Cat No.	Wattage	Lamp	TClass	T°C (Dust)	Ambient °C	Weight
PRGE/218/BI	2x18W	T8	T4	85	-20 to +55	4.2kg
PRGE/236/BI	2x36W	T8	T4	85	-20 to +55	9.8kg
PRGE/218/MO	2x18W	T8	T4	85	-20 to +55	4.2kg
PRGE/236/MO	2x36W	T8	T4	85	-20 to +55	9.8kg

MO - Mono-pin (Fa6 Cap) Lamps. Mono-pin Coding: Ex d e q.

Options – Suffix to Catalogue No.

/120	Specific voltage (110/130)	/3P	3 phase termination facility (Not available if looping required)
/M25	M25 cable entries	/LBE	Looping both ends
/SC	Screwed connection terminal block (up to 6mm ² conductors)	/EL	Extra live termination facility (to match emergency circuit)
/SB	Stainless steel mounting bush	/SE	Spigot entry



Accessories Should be ordered separately

Catalogue Order Code

Pole mounting bracket assembly (38-42mm diameter poles)	SPOL4-100001
Pole mounting bracket assembly (48-52mm diameter poles)	SPOL4-100002
Pole mounting bracket assembly (58-62mm diameter poles)	SPOL4-100003
Hook type ceiling bracket assembly	SPRO4-0005
Ceiling mounting bracket assembly	SPRO4-0002
Eyebolt mounting assembly	SPRO5-0005
Flush mounting wall bracket assembly	SPRO4-0006
Looping kit (allows looping from both ends of luminaire)	SPROT-0021

For details on outreach brackets see page 29.

Product design and specifications are subject to change without notice, please check the Chalmit website for latest specifications.