



The Sterling II is a high quality but cost effective T8 fluorescent. Its lightweight and slimline construction make it simple to install and maintain. The luminaire features high frequency control gear with 'End of Life' (EOL) protection.

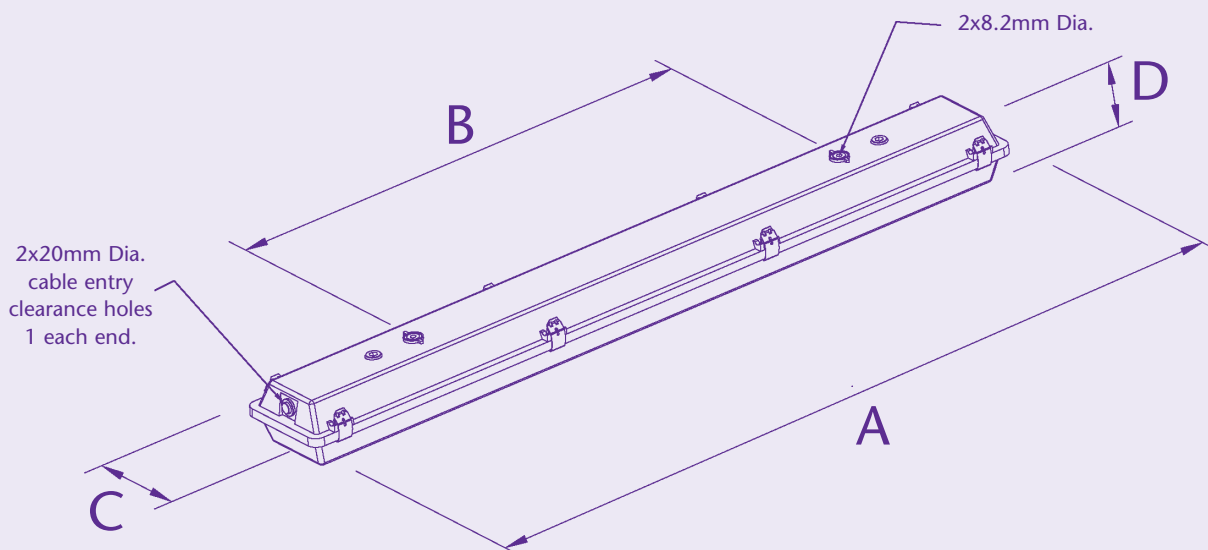
The Sterling II is available with single and twin lamp versions.

Standard Specification		Features
Type of Protection	Ex nA (Non-sparking)	Robust polycarbonate diffuser with stainless steel clips as standard
ATEX Classification	Group II Category 3 GD	
Area Classification	Zone 2 and Zone 22 areas to EN 60079-10-1 and EN 60079-10-2 with installation to EN 60079-14	Through wiring as standard
Certificate	Type Examination Certificate Sira 06ATEX4348X IEC Ex SIR 06.0108X	High frequency control gear gives 50/60Hz operation, high power factor correction and regulation of lamp output.
Coding	⊕ II 3 GD Ex nA II T4 (refer to table for T rating and Ambient)	Simple to install and maintain
Enclosure	GRP with polycarbonate diffuser and stainless steel retaining clips	Lightweight and slim line construction
Reflector	White polyester painted zinc coated steel	End of life (EOL) protected
Entry	2 x 20mm diameter holes	
Termination	4 core 4mm <sup>2</sup> max. conductor with through wiring 16A rating	International Approvals
Installation	Two clearance holes for M8 fasteners located on rear of body, sealing washers provided	
Control Gear	High Frequency ballast	ATEX IECEx Compliant
Relamping	Access via diffuser secured by quick release stainless steel clips	
Burning Position	Universal	
Ingress Protection	IP65 to EN60529	
Electrical Supply	220-254V 50/60Hz (AC/DC)	

Std. Cat No.	Wattage	Voltage	TClass	T°(Dust)	Ambient °C	Weight
ST2N/218/BI	2x18W	220V-254V	T4	85	-20 to +45	2.6kg
ST2N/136/BI	1x36W	220V-254V	T4	85	-20 to +45	3.3kg
ST2N/236/BI	2x36W	220V-254V	T4	85	-20 to +45	3.6kg
ST2N/158/BI	1x58W	220V-254V	T4	85	-20 to +45	3.7kg
ST2N/258/BI	2x58W	220V-254V	T4	85	-20 to +45	4.1kg

### Options – Suffix to Catalogue No.

/120	110-130V 50/60Hz AC (Note: Upper ambient, limit of +30°C)	/MF	Mains fuse
------	--	-----	------------



	2x18W	1x36W / 2x36W	1x58W / 2x58W
A	702	1312	1612
B	500	800	1100
C	172	102 / 172	102 / 172
D	106	106	106

**Accessories** Should be ordered separately

**Catalogue Order Code**

Pole mounting bracket assembly (38-42mm diameter poles)	SPOL4-100004
Pole mounting bracket assembly (48-52mm diameter poles)	SPOL4-100005
Pole mounting bracket assembly (58-62mm diameter poles)	SPOL4-100006
Hook type ceiling bracket assembly	S3004-100003
Ceiling bracket assembly	S3004-100001
Flush mounting wall bracket assembly	S3004-100004
18W wall mounting outreach bracket (use with SPOL4-100004)	NPRO4-0008
36W wall mounting outreach bracket (use with SPOL4-100004)	NPRO4-0012
58W wall mounting outreach bracket (use with SPOL4-100004)	NPRO4-0022