



EVOLUTION X

Ex db eb LED Floodlight

The next generation in Zone 1 LED luminaires, the **Evolution X** floodlight focuses on the need of the user by combining high powered performance with long term maintenance benefits. Providing a market leading photometric output up to 40,000 lumens, and offered with a variety of optics to efficiently illuminate any Zone 1/21 application, the **Evolution X** is a true successor to the traditional high output HID floodlights.

With no exposed flamepaths and an expected LED L70 life >200,000 hours at the maximum rated ambient of 60°C, the robust LED enclosure is effectively maintenance free. The optional benefit of a removable gearbox with excellent IP allows the maintainable components to be easily accessible, and ensures that the ground breaking **Evolution X** is suitable for global use in any harsh or hazardous environment.



Mounting Options

Floodlight. Pendant. High Bay. Pole/Column.

Standard Specification

Evolution X Ex db eb LED Floodlight

Type of Protection	Ex db eb (Flameproof, Increased Safety) Ex tb (Dust Protected Enclosure)
ATEX Classification	Group II Category 2 GD
Area Classification	Zone 1 and 21 areas to EN 60079-10-1 and EN 60079-10-2 with installation to EN 60079-14
Certificate	EU Type Examination Certificate CML20ATEX1114X IECEX Certificate of Conformity IECEX CML 20.0073X
Coding	Ex db eb IIB+H2 T* Gb Ex tb IIIC T***C Db IP6X Refer to table for T rating and Ambient
Enclosure	LM6 Marine grade aluminium body with UV resistant glass diffuser. LED heatsink and gearbox with epoxy powder finish (RAL 7040)
Entry	2 x M20 cable entries
Termination	3 core 6mm ² max conductor with looping
Installation	3 x Ø13 mounting holes stirrup
Control Gear	Electronic Driver
Optical Distribution	Wide beam
Colour Temperature (CCT)	5000K (Cool White)
Colour Rendering Index (Ra)	>80
Maintenance	Front access to gearbox lid with 4x M6 captive screws
LED Lifetime @ 60°C Ambient	L70 > 200,000hrs
System Life @ Ambient	120,000hrs @ 25°C
Impact Protection	IK10
Ingress Protection	IP66/67 to EN 60529
Surge Protection	6kV
Electrical Supply	110-277V AC, 50/60Hz 127-250V DC

Features

- ◆ Highly **Energy Efficient** >106lm/W
- ◆ Available with **asymmetric optic**, minimising light pollution
- ◆ **Slimline, Sealed for life** LED enclosure with no exposed flamepaths
- ◆ **Remote gearbox** option with flying lead for ease of maintenance and installation
- ◆ **Easy access gearbox** with captive screws
- ◆ **120,000** maintenance free hours at 25°C



UK / Europe / Africa / North America T: +44 (0)141 810 9644 E: hhsales1@hubbell.com
Asia / Middle East / South America T: +44 (0)141 810 9666 E: hhsales2@hubbell.com



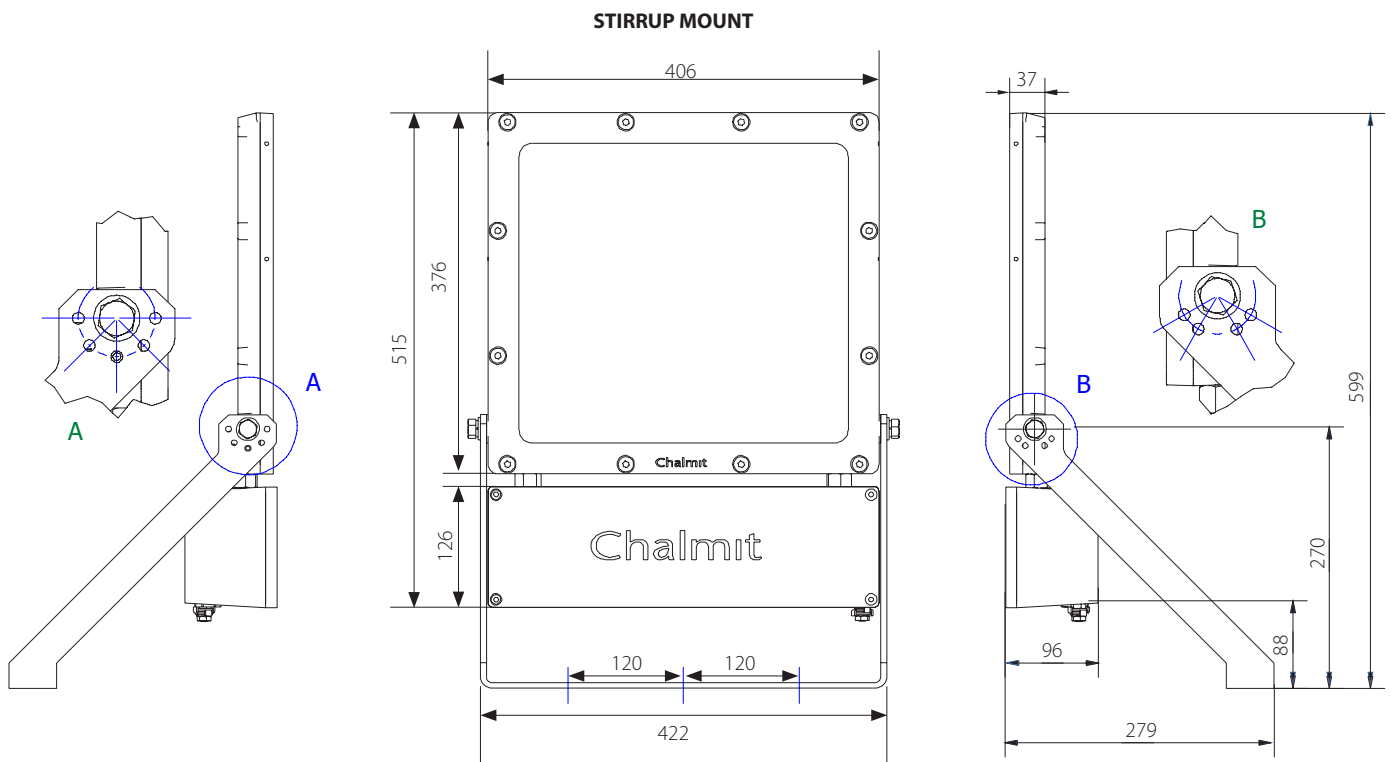
Std. Cat No.	Delivered Output	Power Consumption	Tclass	T°C (Dust)	Ambient °C	Weight
EVXB/20L/LE	20,980 lm	188W	T5 T4	T100 T135	-55 to +40 -55 to +60	15.5kg
EVXB/30L/LE	29,433 lm	253W	T5 T4	T100 T135	-55 to +40 -55 to +60	17kg
EVXB/40L/LE	40,052 lm	375W	T5 T4	T100 T135	-55 to +40 -55 to +60	17kg

Options - Suffix to Catalogue No.	
/M25	M25 Cable Entries
/N	Narrow Beam Distribution (≈5% reduction in output)
/AS	Asymmetric Distribution (≈11% reduction in output)
/DM	DALI Dimmable driver
/RG05	Remote Gearbox complete with 5m Cable to LED Enclosure (10 & 15m cable lengths also available**)
/4K	4000K (Neutral White) LEDs
/3K	3000K (Warm White) LEDs

**Cable construction to BS 6883. For alternative cable length, replace 05 with the required dimension, e.g. /RG10.

Accessories order separately

	Order Code
Pole Mounting Bracket Assembly (48-70mm Pole Diameter)	SEVO4-0001
Pendant Mounting kit	SEVX4-0003
Wire Guard	SEVX4-0002
Anti Glare Shield	SEVX4-0001



PENDANT MOUNT

