



HDL206NE

Ex e LED Floodlight

The **HDL206NE** is a compact Emergency LED luminaire allowing up to three modules interlinked, providing an effective and efficient replacement to traditional battery-backed luminaires.

With its lightweight construction, and variety of beam options already available, the addition of an integral battery makes this is a global solution for any Zone 2 application.



Mounting Options

Floodlight. Pendant. Bulkhead. High Bay. Pole/Column. Road Lighting.

Standard Specification

HDL206NE Ex e LED Floodlight

Type of Protection	Ex e mb (Increased Safety, Encapsulation) Ex tb (Dust Protected Enclosure)
ATEX Classification	Group II Category 3 GD
Area Classification	Zone 2 and 22 areas to EN 60079-10-1 and EN 60079-10-2 with installation to EN 60079-14
Certificate	Type Examination Certificate Sira 11ATEX4314X
Coding	Ex e mb IICT4 Gb Ex tb IIIC T103°C Db
Ambient °C	-20 to +50
Enclosure	LM6 Aluminium with epoxy powder finish (RAL 7035) and Polycarbonate diffuser
Entry	2 x M20 cable entries
Termination	4 core 4mm ² max. conductor with looping
Installation	Stirrup mounting bracket
Control Gear	Electronic Driver
Colour Temperature (CCT)	Refer to Ordering Matrix
Colour Rendering Index (Ra)	>70
Maintenance	M8 Hex Head and M6 SKT Head
Emergency Duration	90mins (75%) or 3hrs (37.5%)
Ingress Protection	IP66/67 to EN 60529
Surge Protection	4kV line to line, 6kV line to earth
Electrical Supply	100-254V AC 50/60Hz

Features

- ◆ Highly **Energy Efficient**
- ◆ **Instant on** crisp white light output
- ◆ **Modular design** allowing up to three interlinked luminaires, each providing a delivered output > 5500lm
- ◆ **Lower power consumption** than HID lamps
- ◆ **Lightweight** (9kg per module) lighting solution
- ◆ **>150,000 maintenance free hours** at 25°C (L70)

HDL206N					
Version ¹	Beam Pattern ²	Light (CCT)	Cable Entries	Material & Paint	Options
E – EM (48 LEDs) [62W]	N – Narrow (6565lm)	W – Cool White (5000K) X – Warm White (3000K)	0 – M20 5 – M25 0BP - M20 Brass Nickel Plated Plugs 5BP - M25 Brass Nickel Plated Plugs	04 – RAL 7035 (Grey)	FG – Glass front cover ³
ES – EM/Std (96 LEDs) [113W]	M – Medium (5882lm)				BNI – Batteries Not Included ⁴
EE – EM/EM (96 LEDs) [122W]	W – Wide (5624lm)				RCG – Rapid Connection Gland for single entry ⁵
SES – Std/EM/Std (144 LEDs) [165W]	X – Extra Wide (5547lm)				RCGL – Rapid Connection Glands for looping ⁵
ESE – EM/Std/EM (144 LEDs) [174W]					
EEE – EM/EM/EM (144 LEDs) [184W]					

¹ Power consumption provided in square brackets

² Delivered outputs based on single module 48LED version

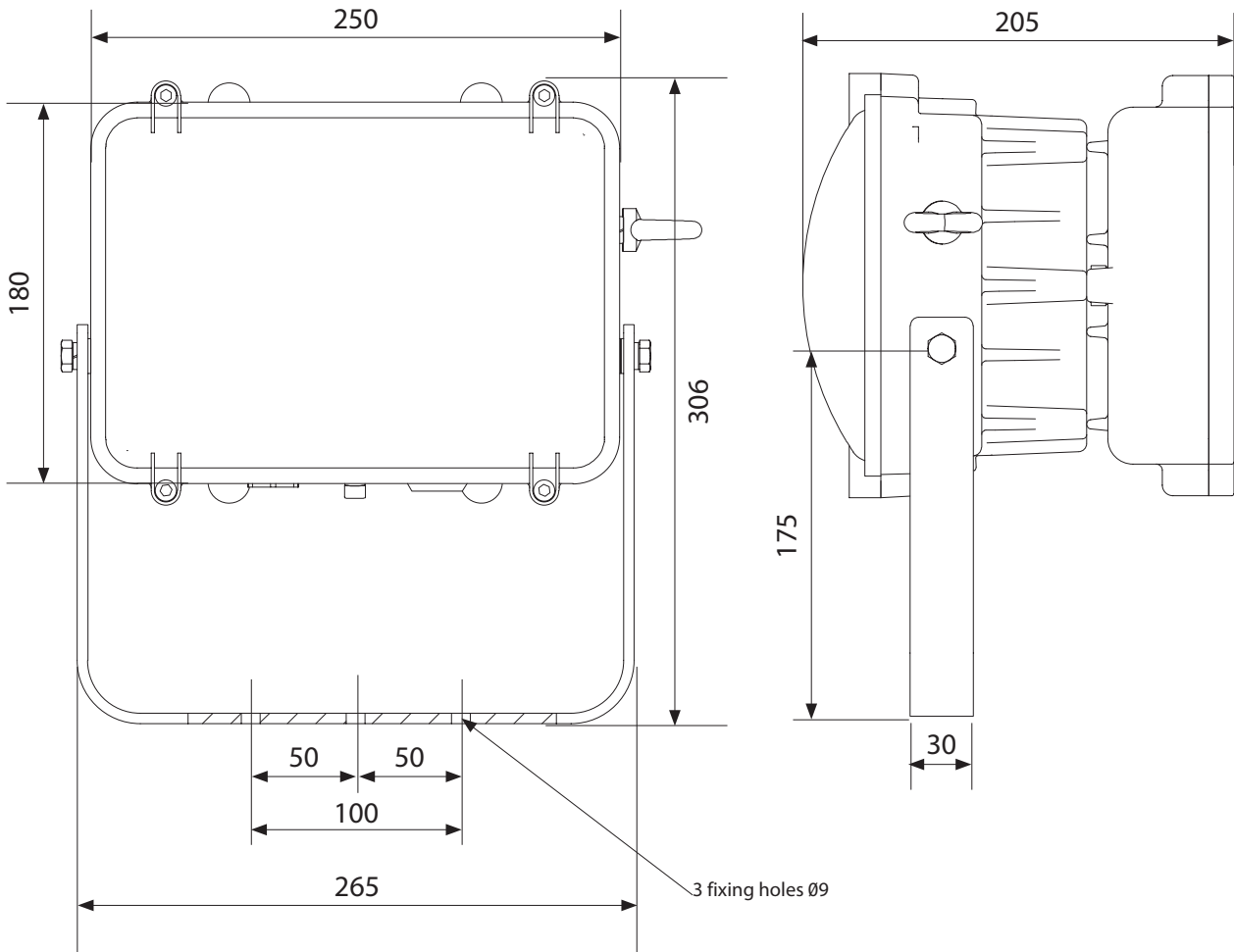
³ Standard Cover Front Clear Polycarbonate (No Abbreviation required)

⁴ Battery assembly HDLAL11131S to be ordered separately when required by site. Qty 1 HDLAL11131S assembly per emergency unit e.g. HDL106NESE*** requires Qty 2 HDLAL11131S.

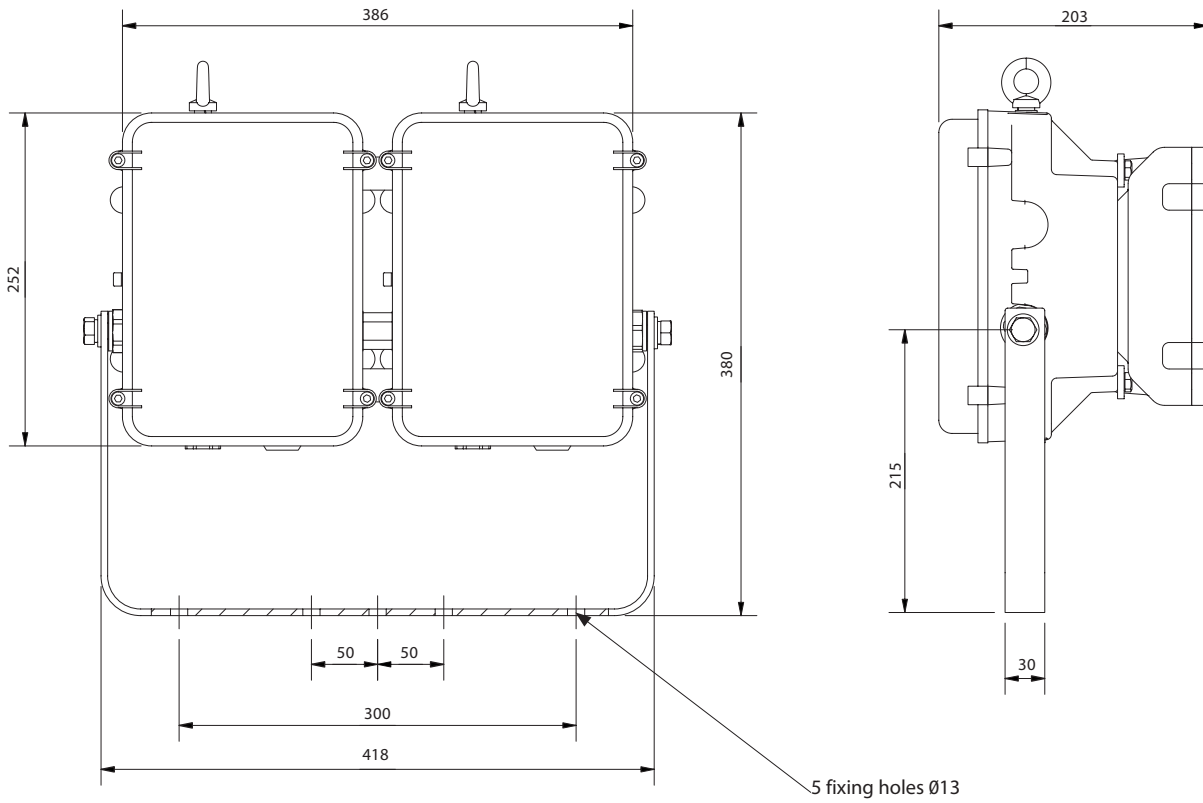
⁵ Factory fitted with 4pin Rapid Connection Gland entry only. Purchaser to supply appropriately sized RCG body as determined by site specific cable requirement.

Typical ordering reference: **HDL206NESMW004FG**

Single unit (48 LEDs)



Double unit (96 LEDs)



Triple unit (144 LEDs)

